

# Technical data sheet

Product features



## Cooking range gas

<b>Model</b>	<b>SAP Code</b>	00008516
--------------	-----------------	----------



- Device type: Gas unit
- Power consumption of the zone 1 [kW]: 7,5
- Power consumption of the zone 2 [kW]: 7,5
- Power consumption of the zone 3 [kW]: 7,5
- Power consumption of the zone 4 [kW]: 4,5
- Ignition: Eternal flame
- Material: AISI 304 top plate and cladding

<b>SAP Code</b>	00008516	<b>Type of gas</b>	Natural gas, propane butane
<b>Net Width [mm]</b>	800	<b>Number of zones</b>	4
<b>Net Depth [mm]</b>	730	<b>Power consumption of the zone 1 [kW]</b>	7,5
<b>Net Height [mm]</b>	300	<b>Power consumption of the zone 2 [kW]</b>	7,5
<b>Net Weight [kg]</b>	50.70	<b>Power consumption of the zone 3 [kW]</b>	7,5
<b>Power gas [kW]</b>	27.000	<b>Power consumption of the zone 4 [kW]</b>	4,5

# Technical data sheet

Technical drawing

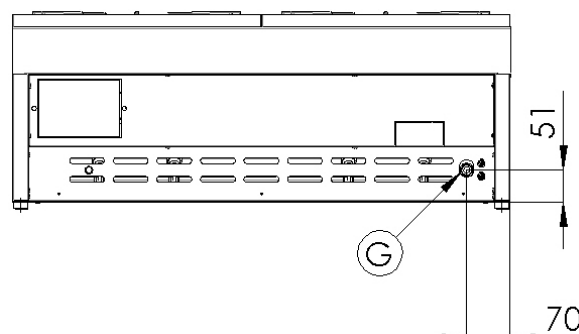
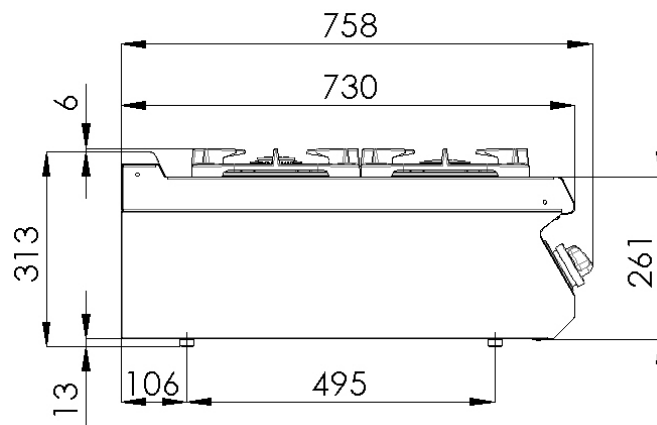
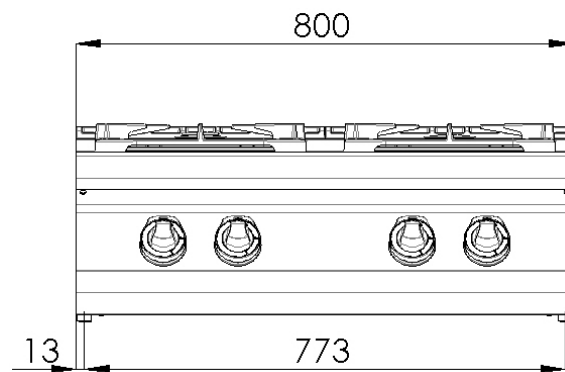


Cooking range gas

Model

SAP Code

00008516



# Technical data sheet

Technical parameters



## Cooking range gas

**Model**

**SAP Code**

00008516

**1. SAP Code:**

00008516

**2. Net Width [mm]:**

800

**3. Net Depth [mm]:**

730

**4. Net Height [mm]:**

300

**5. Net Weight [kg]:**

50.70

**6. Gross Width [mm]:**

840

**7. Gross depth [mm]:**

800

**8. Gross Height [mm]:**

480

**9. Gross Weight [kg]:**

59.50

**10. Device type:**

Gas unit

**11. Construction type of device:**

Table top

**12. Power gas [kW]:**

27.000

**13. Ignition:**

Eternal flame

**14. Type of gas:**

Natural gas, propane butane

**15. Exterior color of the device:**

Stainless steel

**16. Material:**

AISI 304 top plate and cladding

**17. Worktop type:**

Molded - comfortable cleaning maintenance

**18. Worktop material:**

AISI 304

**19. Worktop Thickness [mm]:**

1.50

**20. Number of zones:**

4

**21. Power consumption of the zone 1 [kW]:**

7,5

**22. Power consumption of the zone 2 [kW]:**

7,5

**23. Power consumption of the zone 3 [kW]:**

7,5

**24. Power consumption of the zone 4 [kW]:**

4,5

**25. Service accessibility:**

Trough the frontal panel

**26. Safety thermocouple:**

Yes

**27. Number of burners/hot plates:**

4

**28. Type of gas cooking zones:**

Classic

# Technical data sheet

Technical parameters



## Cooking range gas

Model	SAP Code	Value
		00008516

### 29. Burner type:

Cast iron, detachable, with internal and external combustion